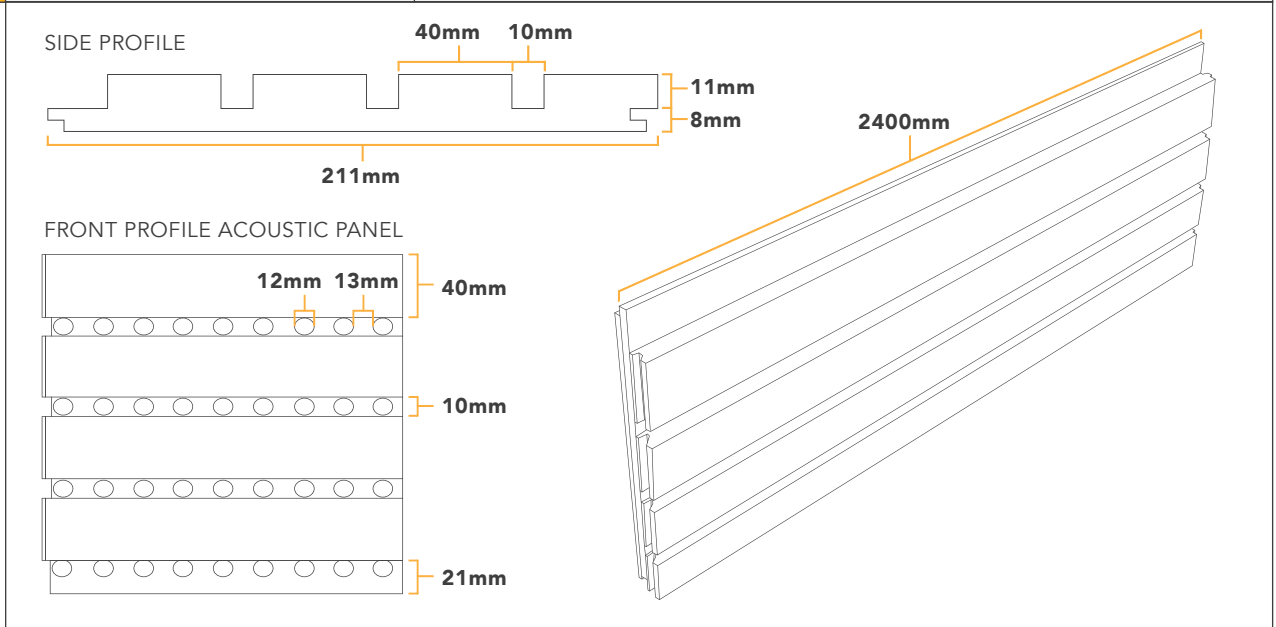


	PANEL	ACOUSTIC PANEL
<b>CODE</b>	40/10	40/10 ACOUSTIC
<b>DESC</b>	2400 x 200 cover Solid feature panel.	2400 x 200 cover Perforated with acoustic scrim for sound absorption.



**CEILING SERVICE BLANK**

<b>CODE</b>	190SB	390SB
<b>DESC</b>	190 x 190 Service Blank for lighting	390 x 390 Service Blank for air-conditioning etc.

	CORNER PANEL		FLAT JOIN		EXTERNAL JOIN		INTERNAL JOIN	
<b>CODE</b>	40 EXTERNAL	40 INTERNAL	100 FLAT	50 FLAT	100 EXT	50 EXT	100 INT	50 EXT
<b>DESC</b>	2400x 40 External corner trim.	2400 x 40 Internal corner trim.	2400 x 100/50 Flat cover batten.		2400 x 100/50 External corner.		2400 x 100/50 Internal corner.	

